

# The Wishbone.



Spec Sheet

Five  
At  
Heart

**The Wishbone  
elevates the seat to allow  
each bike to self-position  
effortlessly, while the hard-  
wearing leather protects  
against knocks.**



**Five  
At  
Heart**



# The Wishbone.



The Wishbone

Five At Heart

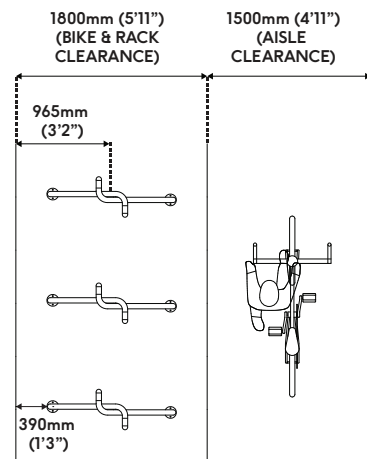
## Materials

Mild Steel

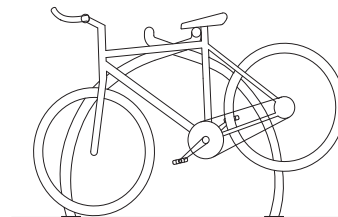
Powder coat finish (custom colours available, minimum order 20)

Leather Bumper Pieces

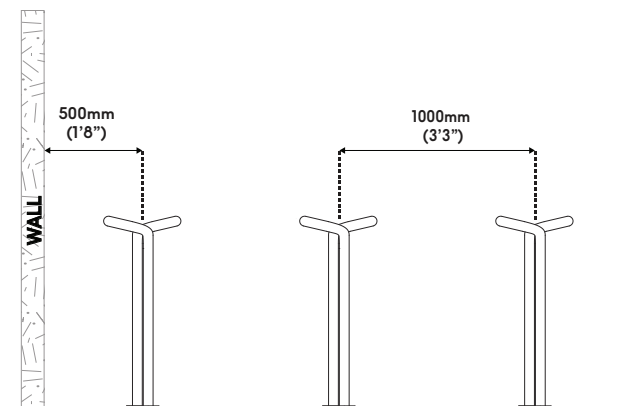
## TOP VIEW



## SIDE VIEW



## FRONT VIEW



# Double Sided.



The Wishbone

Five At Heart

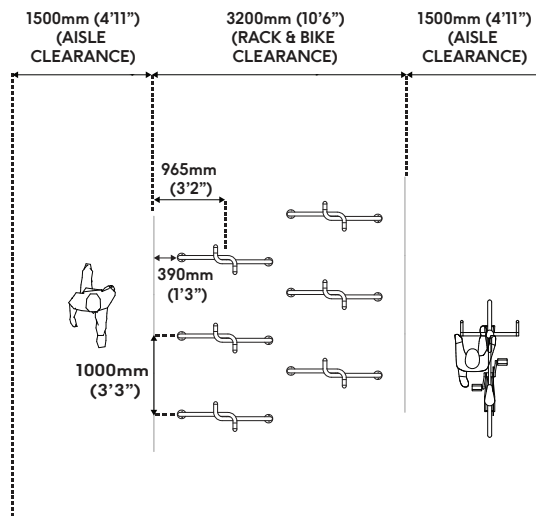
## Materials

Mild Steel

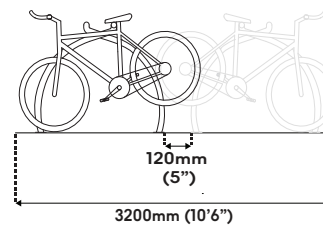
Powder coat finish (custom colours available, minimum order 20)

Leather Bumper Pieces

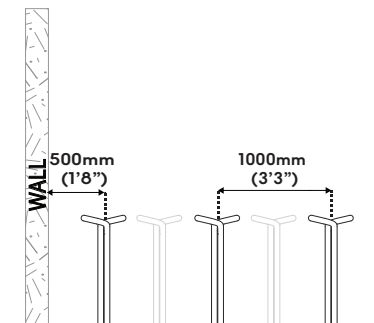
## TOP VIEW



## SIDE VIEW



## FRONT VIEW



# 45°.



The Wishbone

Five At Heart

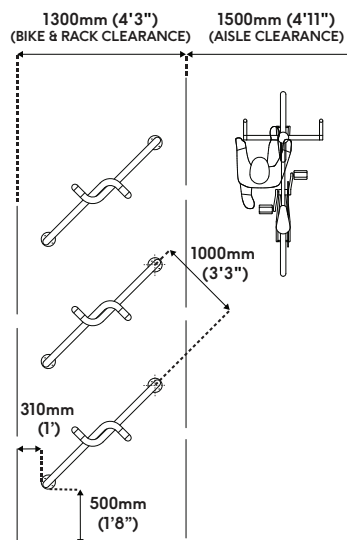
## Materials

Mild Steel

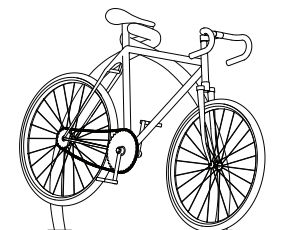
Powder coat finish (custom colours available, minimum order 20)

Leather Bumper Pieces

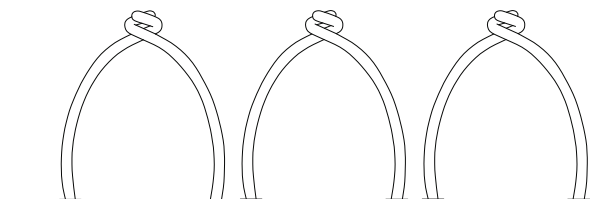
## TOP VIEW



## SIDE VIEW



## FRONT VIEW



# Wishbone Warranty and Technical Data

## Warranty Information

Five At Heart's Wishbone comes with a standard 5 year warranty, effective from the handover date.

For the warranty period, we warrant that the equipment (and any materials) we supply will comply with the relevant standards at the date of installation.

This warranty is limited and may be excluded in part or in full in light of user damage or failure to install to Five At Heart specification.

We recommend a monthly visual inspection for signs of damage or need for cleaning.

Contact Five At Heart in the event of product damage.

## Disclaimer

Images may differ from actual product and specifications may change without prior notice. Five At Heart is not liable for the structural integrity of the substrate and any queries should be directed through the project engineer.

Product is manufactured to metric dimensions.

## Fixing options / and details

**Fig 1** M10/50mm (3/8" x 3") - galvanised sleeve anchor

## Product weight

6 kg

## Substrate requirements

- Concrete – 100mm (3 15/16") thick and in good condition

## Maintenance Requirements

Apply leather conditioner to bumper pads as desired.

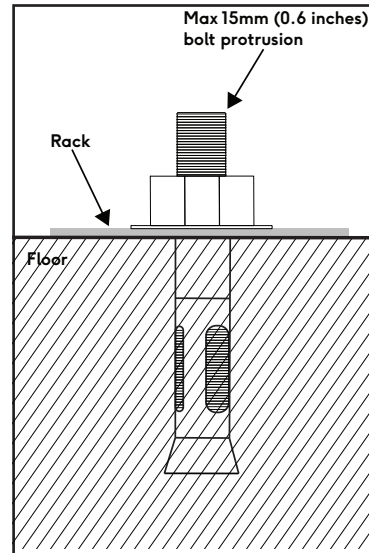
If any moving parts appear to be malfunctioning, discontinue use and contact Five At Heart.

## Cleaning

Cleaning should start at the time the products are installed, ensuring that construction materials such as concrete, plaster and paint splashes are removed before they have a chance to dry. Failure to remove these materials will require aggressive cleaning in the future, that may be harmful to the products.

Wipe with a damp cloth for surface cleaning. Regular cleaning may be done with a solution of warm water and a non-abrasive, pH neutral detergent solution. Surfaces should be thoroughly rinsed after cleaning to remove all residues.

**WARNING:** DO NOT UNDER ANY CIRCUMSTANCES USE STRONG SOLVENTS SUCH AS THINNERS OR SOLUTIONS CONTAINING CHLORINATED HYDROCARBONS, ESTERS OR KETONES. ABRASIVE CLEANERS OR CUTTING COMPOUNDS SHOULD NOT BE USED.



**Fig 1** M10/50mm (3/8" x 3")  
Through bolt sleeve system

# Five At Heart



Creating  
spaces  
for however  
you Roll...



[fiveatheart.com](http://fiveatheart.com)

**Australia**

(+61) 1300 769 332 or [au\\_info@fiveatheart.com](mailto:au_info@fiveatheart.com)

**North America**

(+1) 888 218 3433 or [na\\_info@fiveatheart.com](mailto:na_info@fiveatheart.com)

**Europe**

+44 (0)20 3137 1966 or [eu\\_info@fiveatheart.com](mailto:eu_info@fiveatheart.com)