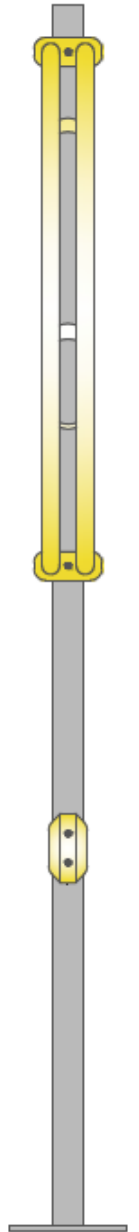
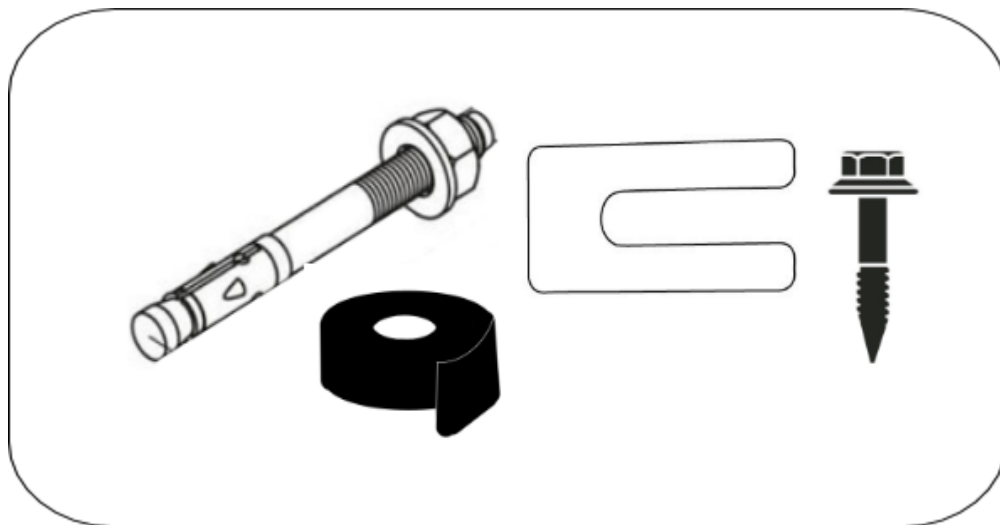
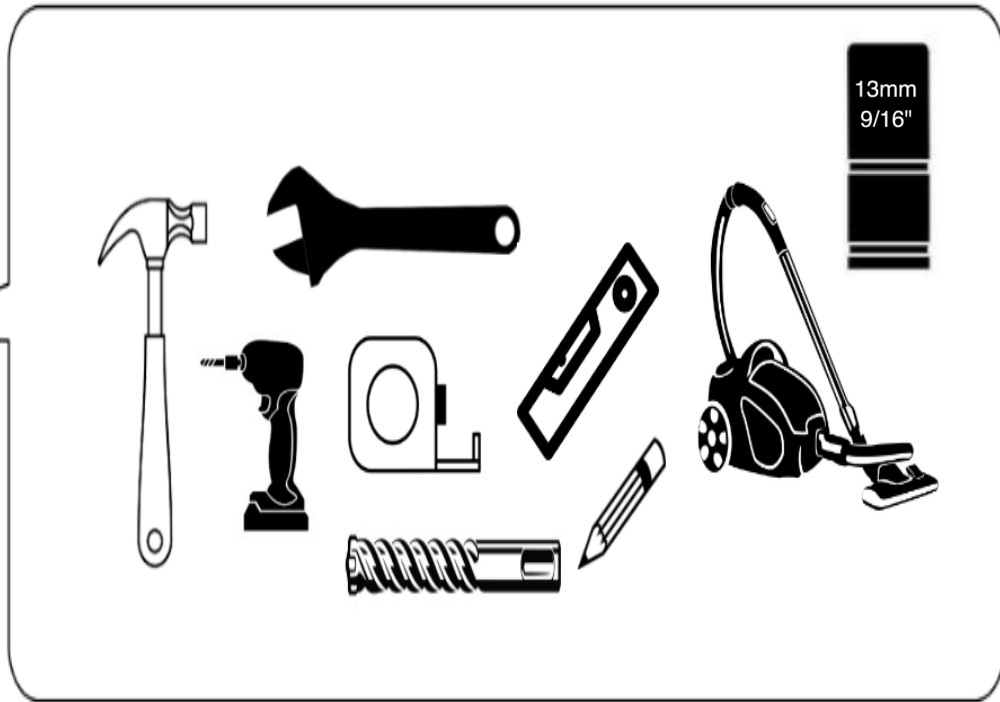
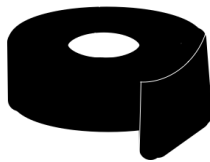
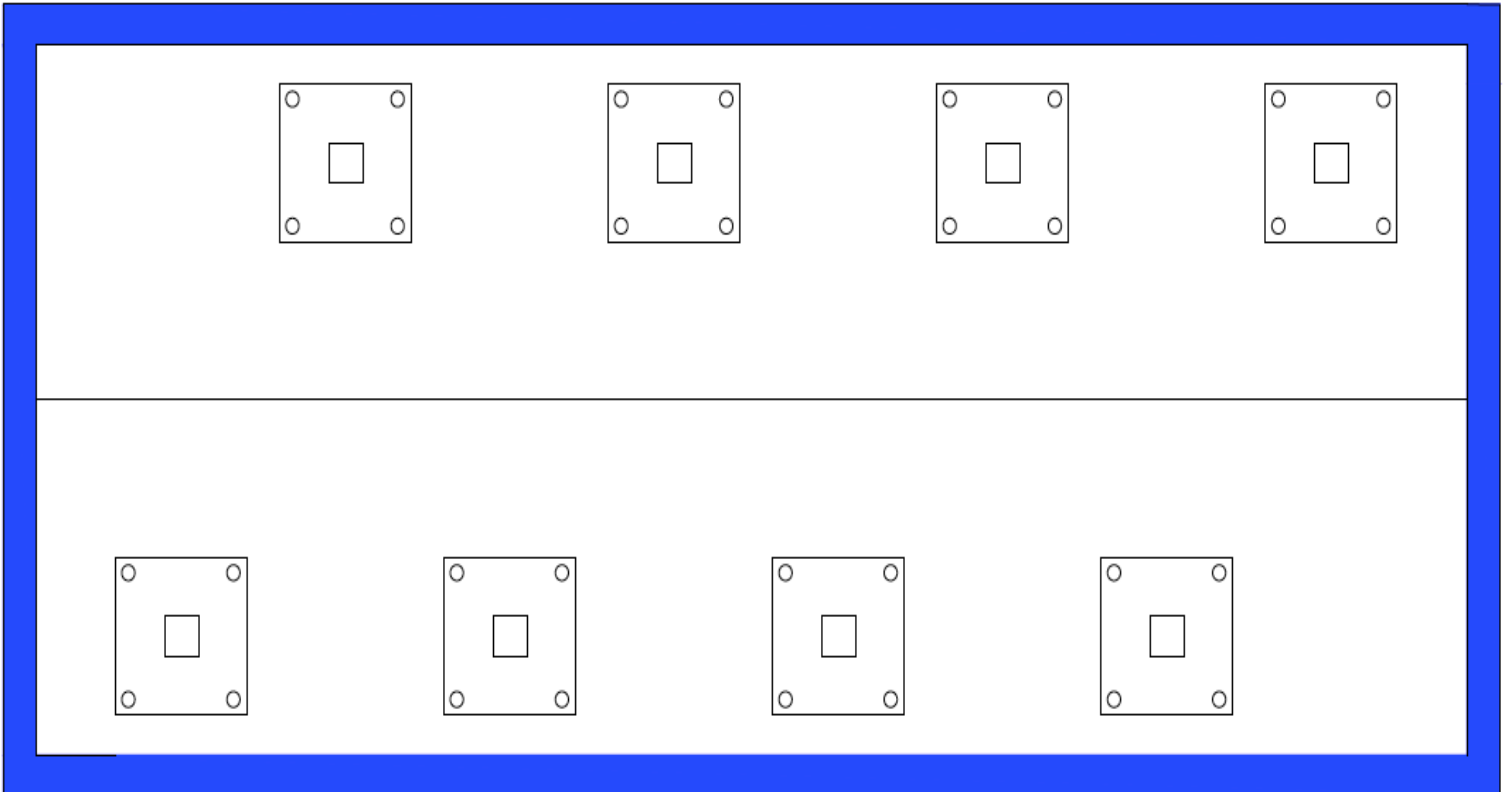


HOW TO INSTALL THE... SILVER BULLET

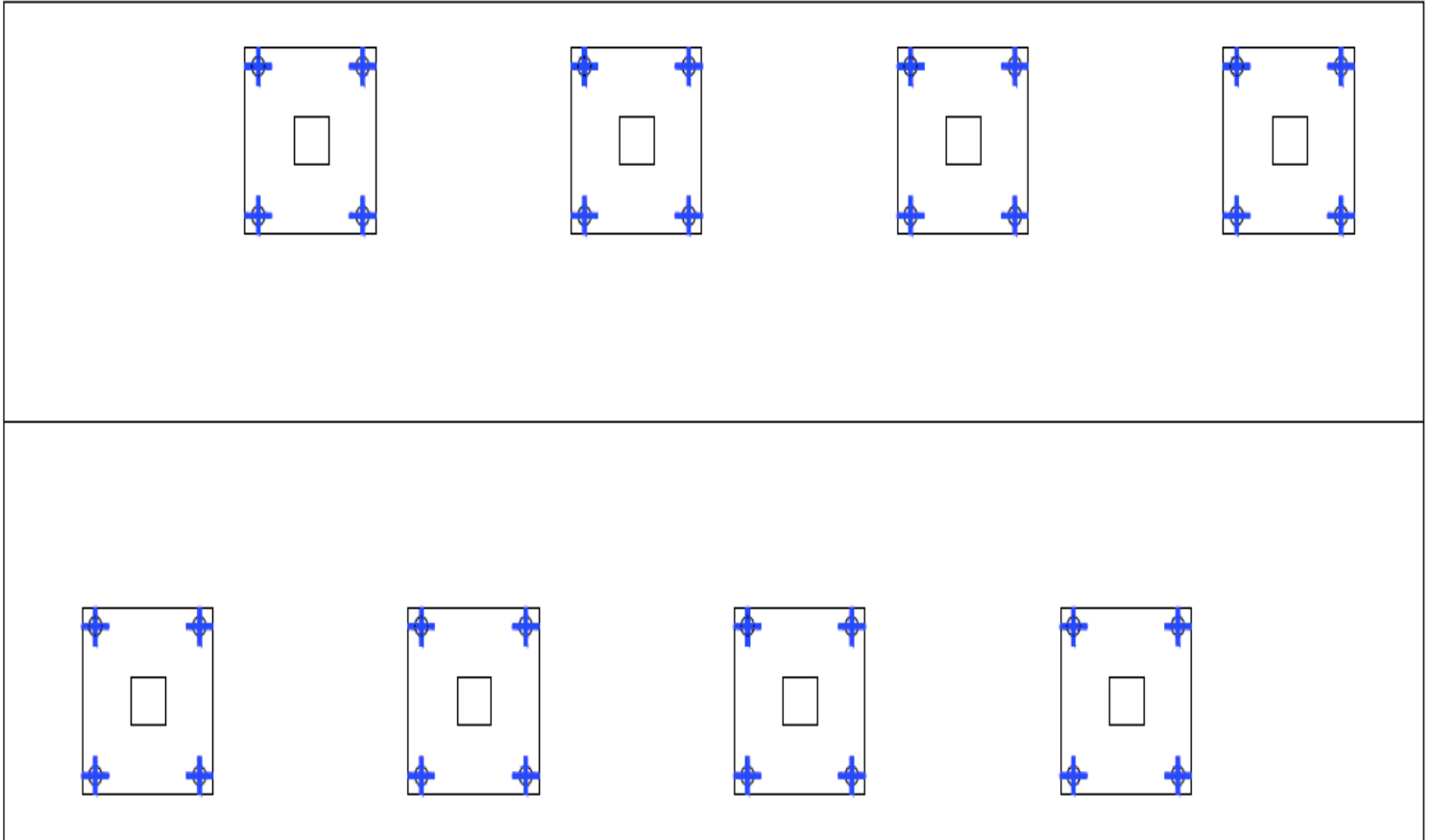


1



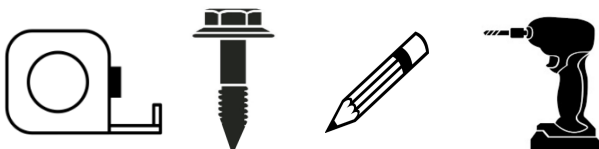
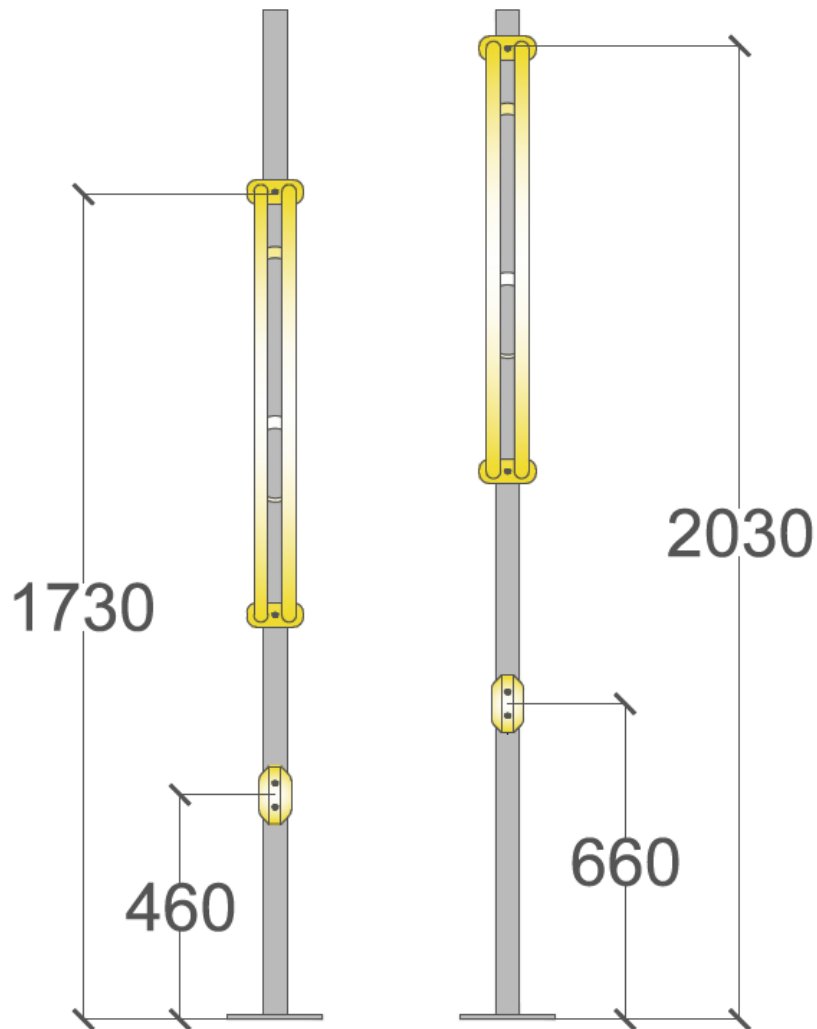
Using the dimensions on the drawing, locate the centre point of the Silver Bullets. Roll out the set out paper and line up your markings with the centre line on the paper. Check again that you are happy the paper is in the correct position. Once you are satisfied with the positioning of the paper, tape down the edges in order to avoid movement (Indicated with outer blue line).

2



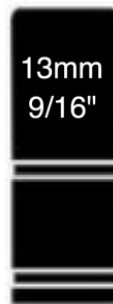
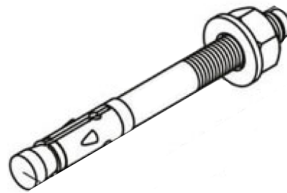
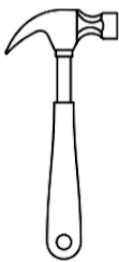
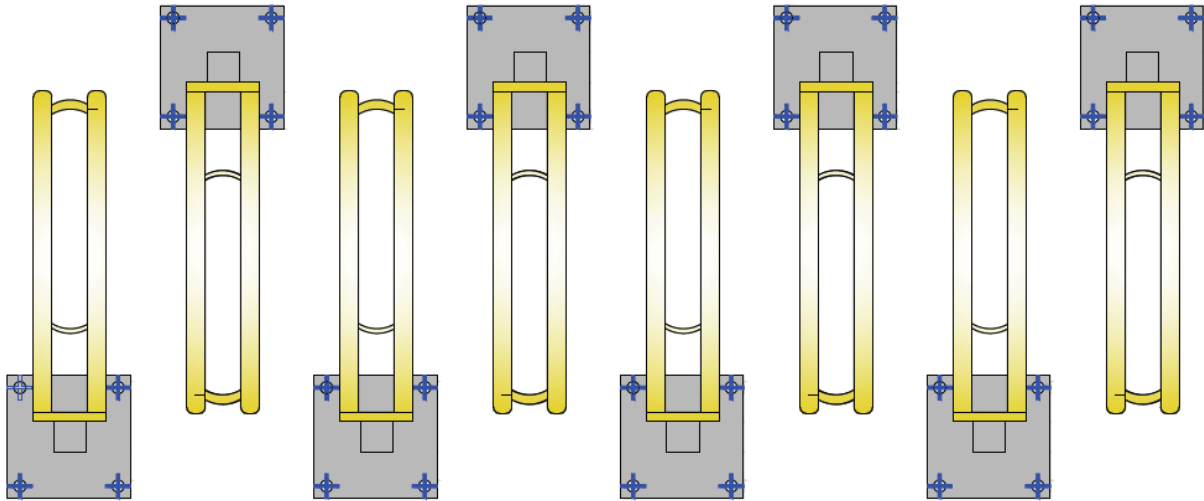
On each base plate of the Silver Bullet, there are four fixing points. Using a 10mm SDS drill bit, drill all of the points (indicated with a +). Once you have drilled all the holes, vacuum up the dust.

3



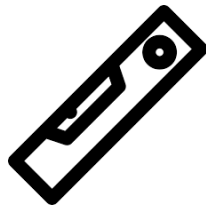
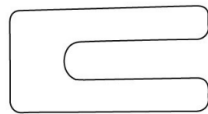
To secure the Cradle to the post, lay the Silver Bullet on the protected floor. Using the measurements listed above, mark the top fixing holes on the post. Secure the cradle to the post by using self tapping screws and an impact driver, be careful not to overtighten. Once you have secured through the top fixing hole, do the same for the bottom. Using the heights listed above, secure the wheel catchers to the post, again with self tapping screws.

4



Remove the set out paper and masking tape from the floor. Position the base plate of the silver bullet over the four fixing holes. Hammer in the anchor bolts through each of the holes. Once the bolts are hammered all the way in, tighten them with a spanner or socket.

5



Use your spirit level to check the posts are straight. For any that need adjustment, loosen the bolts and insert a window packer under the baseplate of the post. Once the posts have been levelled, the installation of the Silver Bullet is complete.