

Towel Station.

Locally
Made



Spec Sheet

Five
At
Heart

This unit's design integrates seamlessly with any change room, keeping it tidy and fresh. While the top shelves provide easy access to clean towels, the bottom part looks after the dirty ones. Perfectly sized towel bags allow you to remove used towels in an instant. Easy as pie.



**Five
At
Heart**

Towel Station.



Towel Station

Five At Heart

Material

Laminated MDF (AUS: E0 MR)
(with extensive colour range)

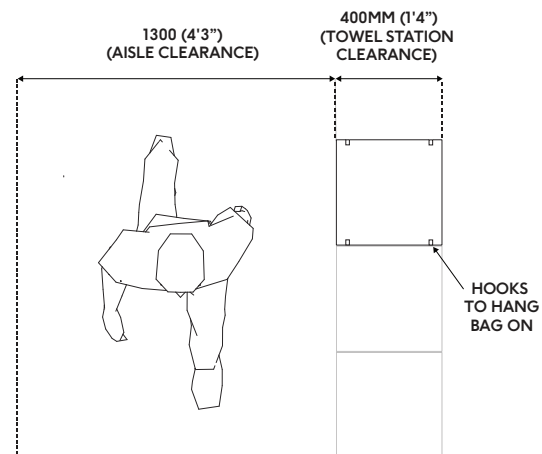
Moisture resistant base with black finish

Specification

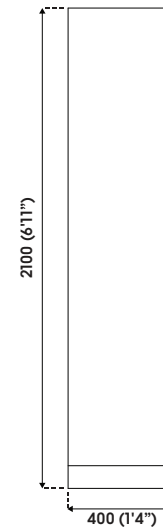
21 Towels per towel station

Capacity to hang towel bags for easy
collection of towels

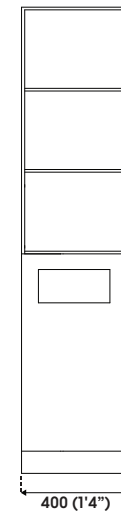
TOP VIEW



SIDE VIEW



FRONT VIEW



Towel Station Warranty and Technical Data

Warranty Information

Five At Heart's Towel Station comes with a standard 7 year warranty, effective from the handover date.

For the warranty period, we warrant that the equipment (and any materials) we supply will comply with the relevant standards at the date of installation.

This warranty is limited and may be excluded in part or in full in light of user damage or failure to install to Five At Heart specification.

We recommend a monthly visual inspection for signs of damage or need for cleaning.

Contact Five At Heart in the event of product damage.

Disclaimer

Images may differ from actual product and specifications may change without prior notice.

AUS, UK, CAN: manufactured to metric dimensions.

USA: manufactured to imperial dimensions.

Maintenance Requirements

If any moving parts appear to be malfunctioning, discontinue use and contact Five At Heart.

Installation Requirements

Lockers/auxiliary units require a minimum of 16mm (5/8") at the end of each nib wall for filler panels and 50mm (2") for corner fillers.

Cleaning

For general care and maintenance, simply wipe away most spills or marks with a damp cloth, or wipe clean with non abrasive household cleaner.

Do not submerge product at any point.

Avoid scourers and abrasives as they will damage the surface.

Do not use waxes or polishing products as they dull the natural shine.

Five At Heart



Creating
spaces
for however
you Roll...



fiveatheart.com

Australia

(+61) 1300 769 332 or au_info@fiveatheart.com

North America

(+1) 888 218 3433 or na_info@fiveatheart.com

Europe

+44 (0)20 3137 1966 or eu_info@fiveatheart.com