

The Mustafa.



Spec Sheet



A high end addition that really ties a change room together, but without the hassle of custom joinery. Functional as well as beautiful, it houses intergrated shoe or bag storage in its base.



**Five
At
Heart**

The Mustafa.



The Mustafa

Five At Heart

Material

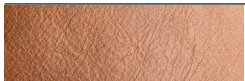
Laminated MDF door (AUS: E0 MR)
(with extensive colour range)

White particleboard carcass (AUS: E1 MR)

Moisture resistant base with black finish

Specification

Range of leather colours



Brown (standard)

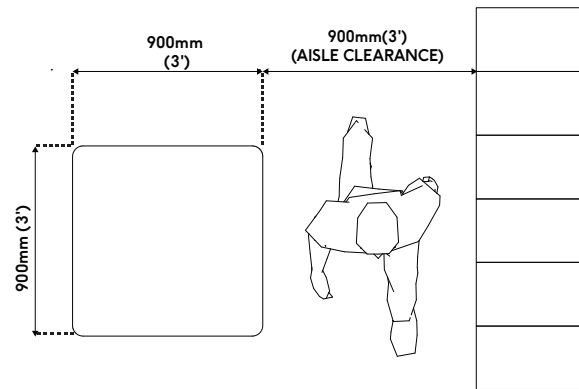


Black (alternative)

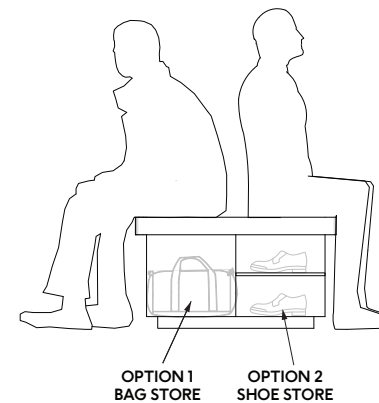


Dark Brown (alternative)

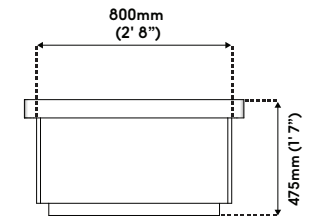
TOP VIEW



SIDE VIEW



FRONT VIEW



Mustafa Warranty and Technical Data

Warranty Information

Five At Heart's Mustafa comes with a standard 7 year warranty, effective from the handover date.

For the warranty period, we warrant that the equipment (and any materials) we supply will comply with the relevant standards at the date of installation.

This warranty is limited and may be excluded in part or in full in light of user damage or failure to install to Five At Heart specification.

We recommend a monthly visual inspection for signs of damage or need for cleaning.

Contact Five At Heart in the event of product damage.

Disclaimer

Images may differ from actual product and specifications may change without prior notice.

AUS, UK, CAN: manufactured to metric dimensions.

USA: manufactured to imperial dimensions.

Modular information

Mustafa is designed to be modular, so the layout can be customized to however you like (aslong as manufacturer aisleway is taken into consideration, 900mm/3')

Maintenance Requirements

Apply leather conditioner as desired.

If any moving parts appear to be malfunctioning, discontinue use and contact Five At Heart.

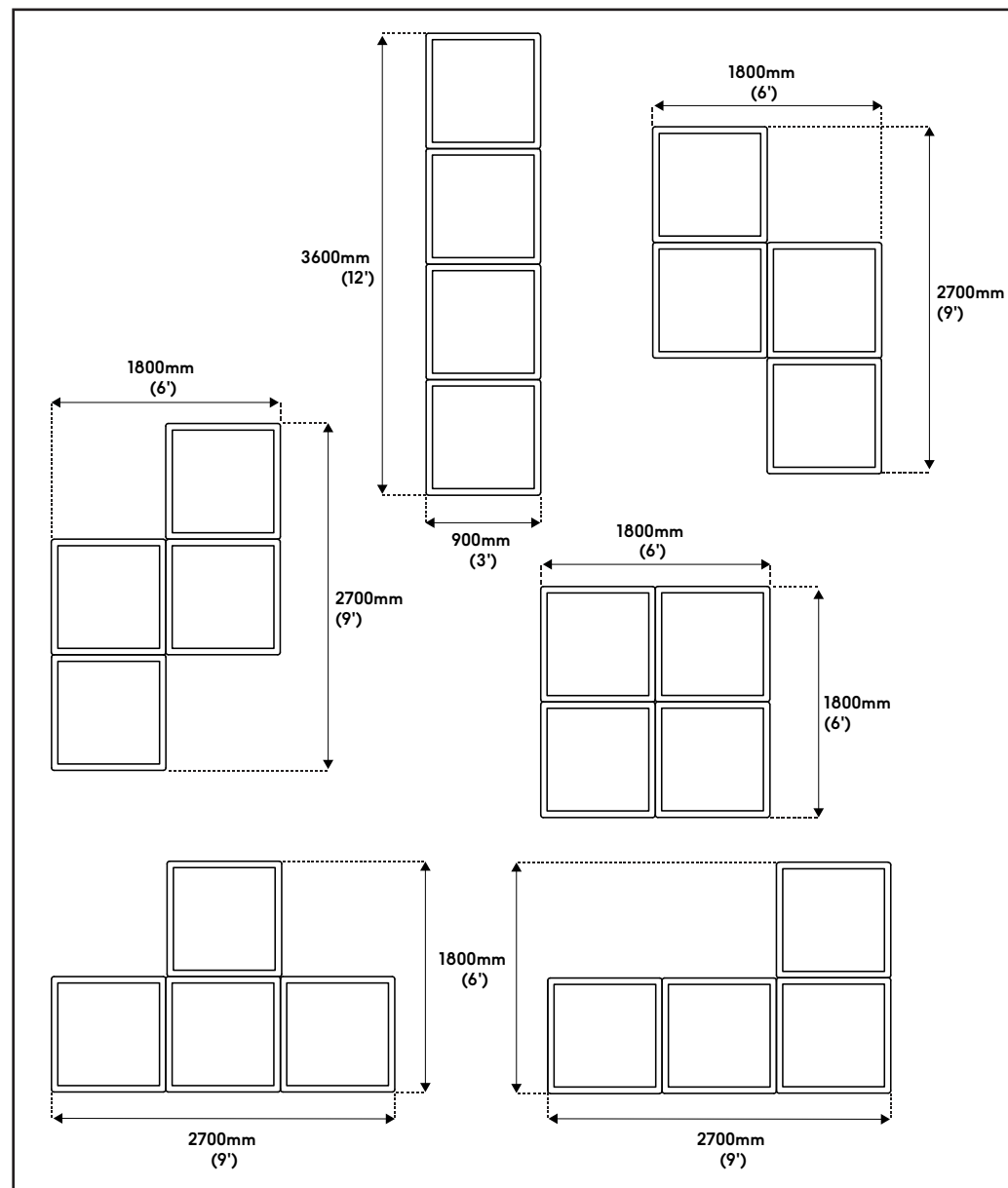
Cleaning

For general care and maintenance, simply wipe away most spills or marks with a damp cloth, or wipe clean with non abrasive household cleaner.

Do not submerge product at any point.

Avoid scourers and abrasives as they will damage the surface.

Do not use waxes or polishing products as they dull the natural shine.



Modular Diagram

Five At Heart



Creating
spaces
for however
you Roll...



fiveatheart.com

Australia

(+61) 1300 769 332 or au_info@fiveatheart.com

North America

(+1) 888 218 3433 or na_info@fiveatheart.com

Europe

+44 (0)20 3137 1966 or eu_info@fiveatheart.com