

The Arc.



Spec Sheet



High density storage that protects your bike and your back.



**Five
At
Heart**

The logo for Five At Heart features the text "Five At Heart" in a bold, black, sans-serif font. To the right of the text is a stylized heart shape composed of a black circle with five red lines radiating from its center, resembling a compass rose or a star.

Single Sided Staggered.



Material

Mild steel base with powder coated black hammertone finish

Mill finish aluminium carriage

Lock Bars, handle and lower wheel catcher standard powder coat colour yellow (custom colours available, minimum order 20)

Specification

(X) Aisle

AUS Standard (2890.3) 2000mm (6' 7")

Manufacturer 2000mm (6' 7")

Minimum Requirement

(Y) Centre Spacing

AUS Standard (2890.3) 400mm (1' 3 3/4")

Manufacturer 400mm (1' 3 3/4")

Minimum Requirement

San Francisco (CA) Standard 430mm (1'5")

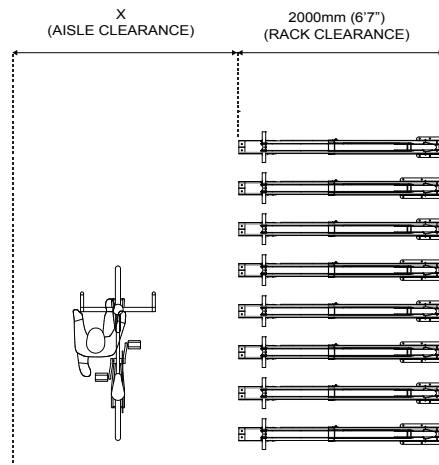
(Z) Ceiling Height Minimum

AUS Standard (2890.3) 2700mm (8'10")

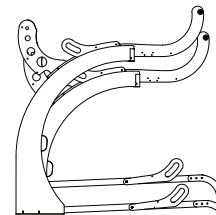
Manufacturer 2600mm (8'6")

Minimum Requirement

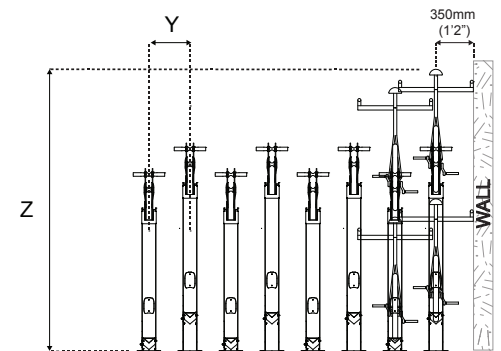
TOP VIEW



SIDE VIEW



FRONT VIEW



Single Sided Non-Staggered.



Material

Mild steel base with powder coated black hammertone finish

Mill finish aluminium carriage

Lock Bars, handle and lower wheel catcher standard powder coat colour yellow (custom colours available, minimum order 20)

Specification

(X) Aisle

AUS Standard (2890.3) 2000mm (6'7")

Manufacturer Minimum Requirement 2000mm (6'7")

(Z) Ceiling Height Minimum

Manufacturer 2400 (7'11")

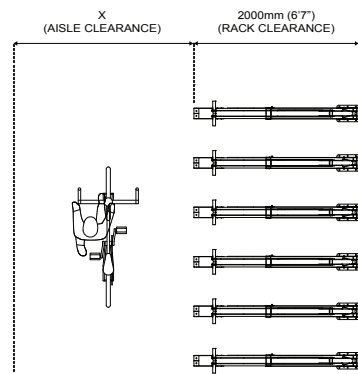
Minimum Requirement

(Y) Centre Spacing

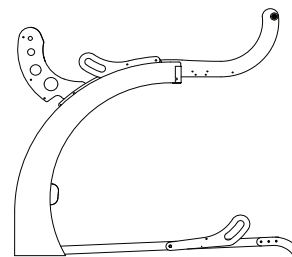
AUS Standard (2890.3) 700mm (2'4")

Manufacturer Minimum Requirement 600mm (2')

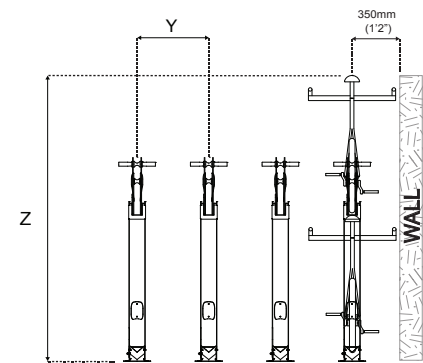
TOP VIEW



SIDE VIEW



FRONT VIEW



Double Sided Staggered



Material

Mild steel base with powder coated black hammertone finish

Mill finish aluminium carriage

Lock Bars, handle and lower wheel catcher standard powder coat colour yellow (custom colours available, minimum order 20)

Specification

(X) Aisle

AUS Standard (2890.3) 2000mm (6' 7")

Manufacturer 2000mm (6' 7")

Minimum Requirement

(Y) Centre Spacing

AUS Standard (2890.3) 400mm (1' 3 3/4")

Manufacturer 400mm (1' 3 3/4")

Minimum Requirement

San Francisco (CA) Standard 430mm (1' 5")

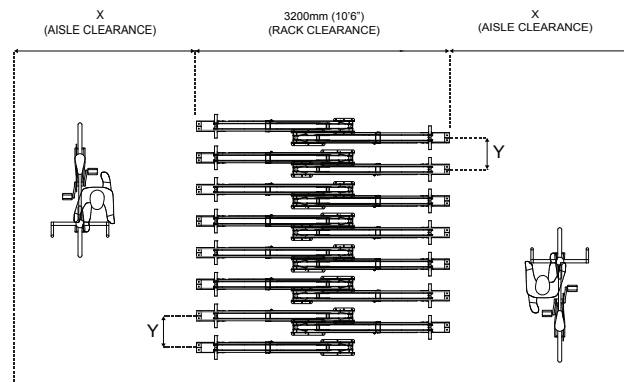
(Z) Ceiling Height Minimum

AUS Standard (2890.3) 2700mm (8'10")

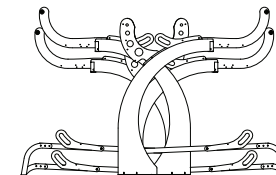
Manufacturer 2600mm (8'6")

Minimum Requirement

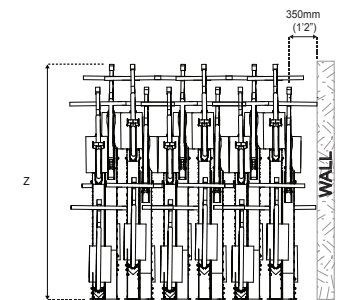
TOP VIEW



SIDE VIEW

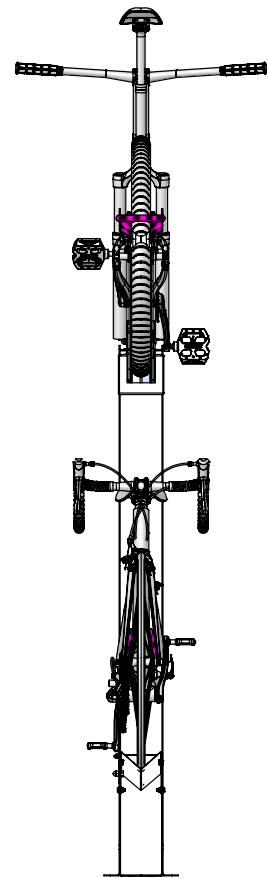
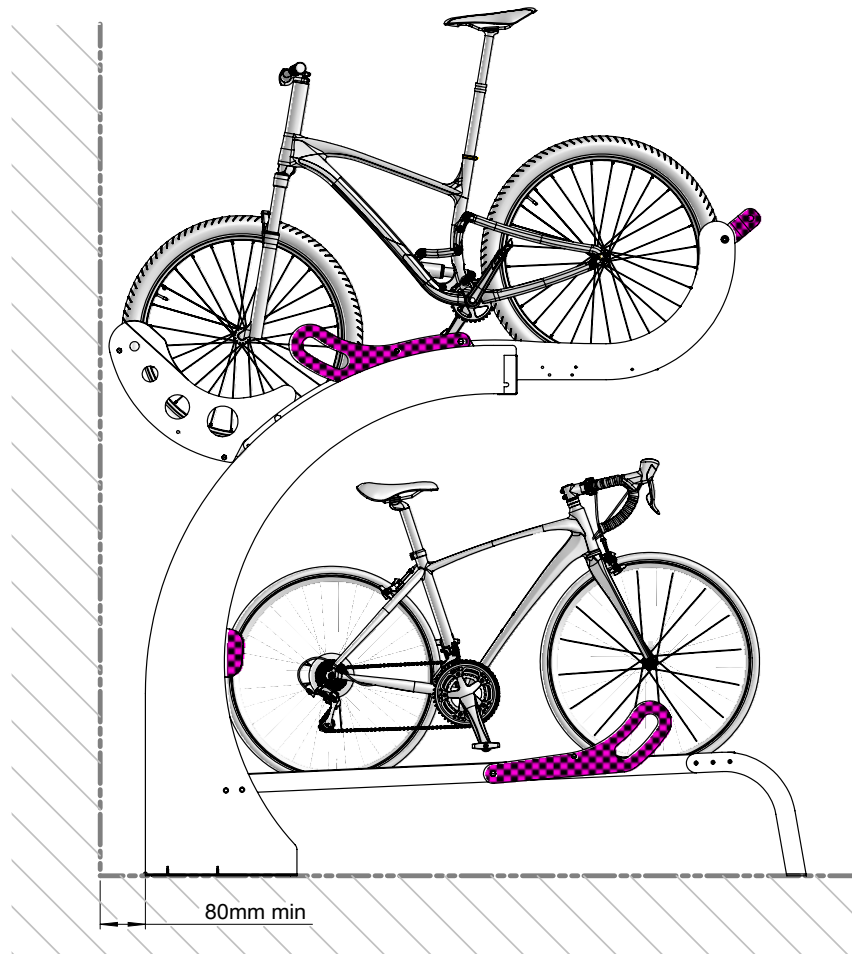


FRONT VIEW



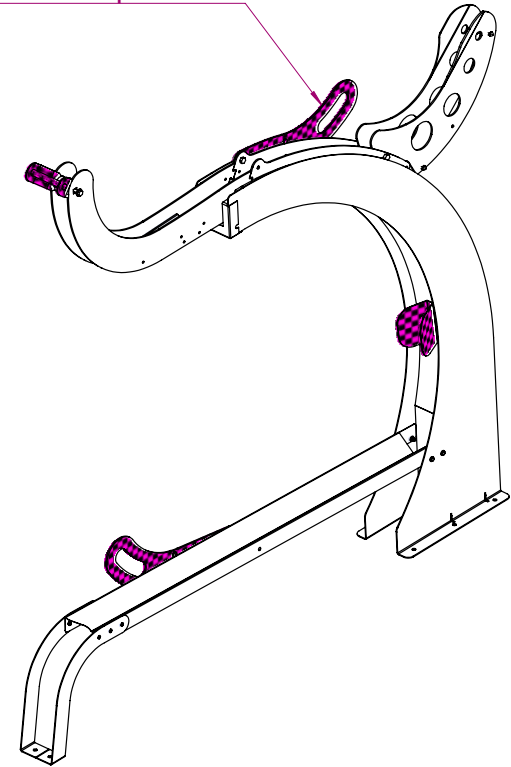
ALL CONTENT REMAINS PROPERTY OF FIVE AT HEART PTY. LTD. MANUFACTURED PRODUCT DIMENSIONS MAY VARY FROM THOSE DOCUMENTED TO ALLOW TOLERANCE FOR INSTALLATION.

The Arc



75mm Fixing Depth Required

Parts marked in purple shows extent of coloured powder coat



CIRCULAR PRODUCT

ITEM IS PRE-MADE (NO MODIFICATION)
PLEASE CONFIRM COLOUR

Item	Item Description
Powder Coat Colour	
Floor Substrate	
Fixings	M10x75mm Sleeve Anchor

Five At Heart **Arc**

Project:

SHEET 1 of 1

P- -DWG- REV 1 SCALE: 5:1

DATE: REV: DWN: CHK: DESCR:

Five At Heart

Arc Warranty and Technical Data

Warranty Information

Five At Heart's Arc comes with a standard 5 year warranty, effective from the handover date.

For the warranty period, we warrant that the equipment (and any materials) we supply will comply with the relevant standards at the date of installation.

This warranty is limited and may be excluded in part or in full in light of user damage or failure to install to Five At Heart specification.

We recommend a monthly visual inspection for signs of damage or need for cleaning.

Contact Five At Heart in the event of product damage.

Disclaimer

Images may differ from actual product and specifications may change without prior notice. Five At Heart is not liable for the structural integrity of the substrate and any queries should be directed through the project engineer.

Product is manufactured to metric dimensions.

Fixing options / and detail

Fig 1 M10x75mm (3/8"x3") sleeve anchor (dynabolt)

Product Weight

Low – 46kg
High – 53kg

Substrate Requirements

- Concrete – 100mm (3 15/16") thick and in good condition

Maintenance Requirements

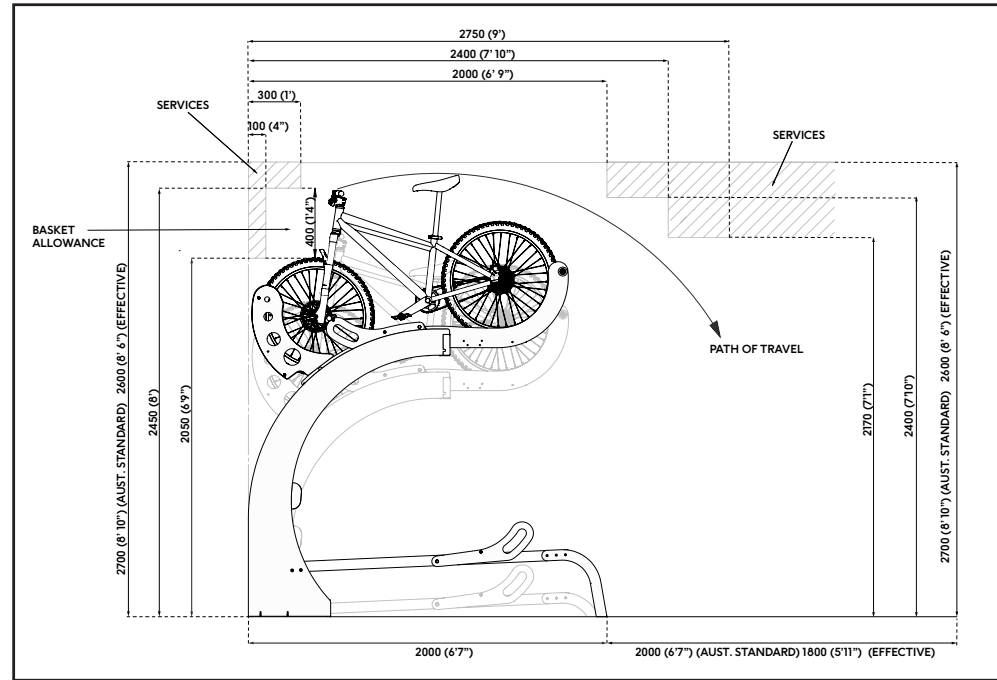
Slide unit bearings are sealed and do not require on going maintenance.

If any moving parts appear to be malfunctioning, discontinue use and contact Five At Heart.

Cleaning

Cleaning should start at the time the products are installed, ensuring that construction materials such as concrete, plaster and paint splashes are removed before they have a chance to dry. Failure to remove these materials will require aggressive cleaning in the future, that may be harmful to the products.

Wipe with a damp cloth for surface cleaning. Regular cleaning may be done with a solution of warm water and a non-abrasive, pH neutral detergent solution. Surfaces should be thoroughly rinsed after cleaning to remove all residues.



Arc clearance map – Path of Travel

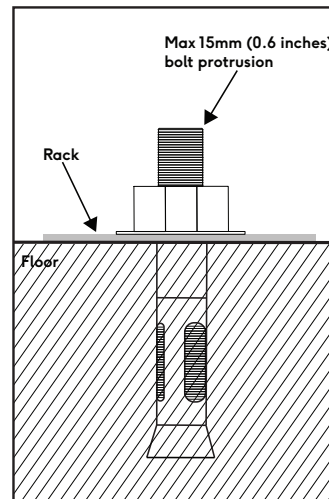


Fig 1 M10x75mm (3/8" x 3") sleeve anchor (dynabolt)

WARNING: DO NOT UNDER ANY CIRCUMSTANCES USE STRONG SOLVENTS SUCH AS THINNERS OR SOLUTIONS CONTAINING CHLORINATED HYDROCARBONS, ESTERS OR KETONES. ABRASIVE CLEANERS OR CUTTING COMPOUNDS SHOULD NOT BE USED.

Five At Heart



Creating
spaces
for however
you Roll...



fiveatheart.com

Australia

(+61) 1300 769 332 or au_info@fiveatheart.com

North America

(+1) 888 218 3433 or na_info@fiveatheart.com

Europe

+44 (0)20 3137 1966 or eu_info@fiveatheart.com