

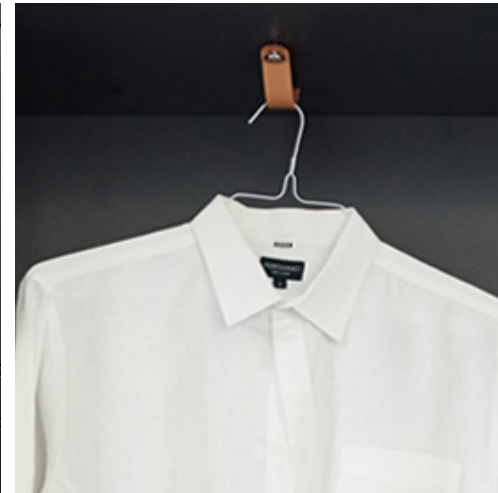
# Iron Maiden.



Spec Sheet

Five  
At  
Heart

**The first Ironing Station specifically designed for the heavy duty needs of commercial change rooms. Accessibility to left and right handed users, easily replaceable consumable parts and emergency towel storage space is all built in to the unit.**



**Five  
At  
Heart**

The logo for 'Five At Heart' features the text 'Five At Heart' in a bold, black, sans-serif font. To the right of the text is a circular graphic composed of several red lines radiating from a central point, resembling a stylized heart or a target.

# Iron Maiden.



Iron Maiden

Five At Heart

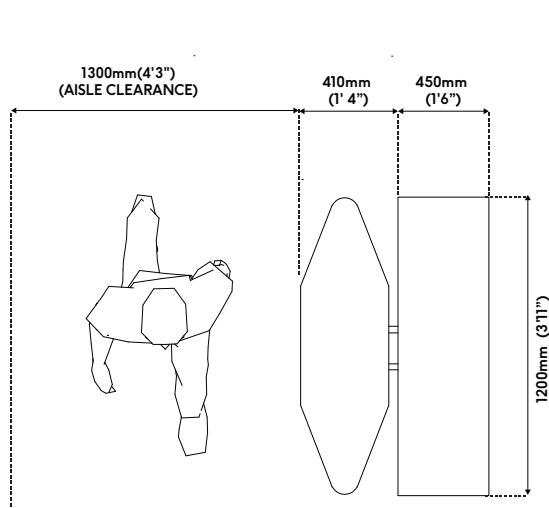
## Material

- Laminated MDF (with extensive colour range)
- Waterproof ply base with black finish
- Steel ironing board

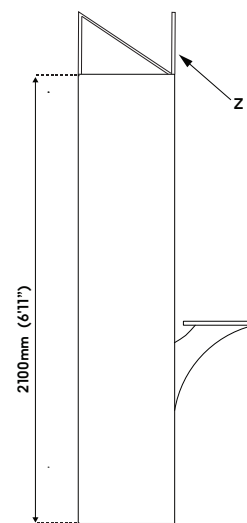
## Specification

- (Z) Bulk head or 30 degree slope top (Optional)
- Iron included

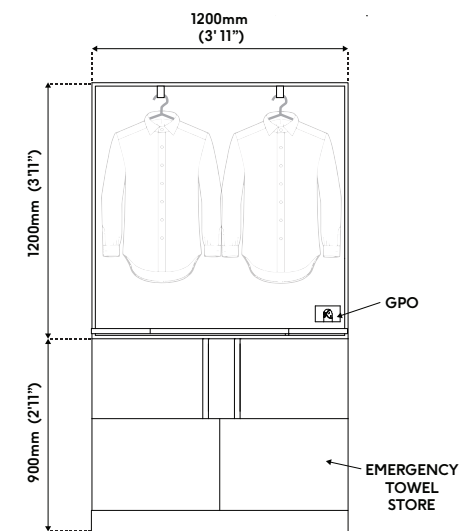
## TOP VIEW



## SIDE VIEW



## FRONT VIEW



# Iron Maiden. (Trim)



## Material

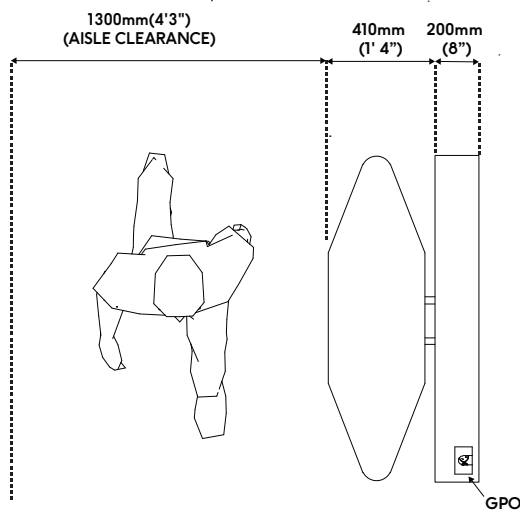
Laminated MDF  
(with extensive colour range)

Steel ironing board

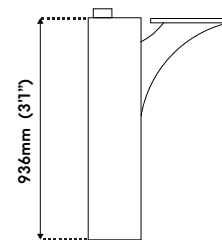
## Specification

Iron included

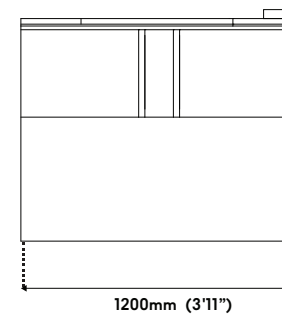
## TOP VIEW



## SIDE VIEW



## FRONT VIEW



# Ironing Station Warranty and Technical Data

## Warranty Information

Five At Heart products come with a standard 2 year warranty, effective from the handover date.

For the warranty period, we warrant that the equipment (and any materials) we supply will comply with the relevant standards at the date of installation.

This warranty is limited and may be excluded in part or in full in light of user damage or failure to install to Five At Heart specification.

We recommend a monthly visual inspection for signs of damage or need for cleaning.

Contact Five At Heart in the event of product damage.

Iron subject to manufacturer warranty.

## Power Requirements

Standard AC power supply required, with 10 minute timer switch for iron.

## Maintenance Requirements

If any moving parts appear to be malfunctioning, discontinue use and contact Five At Heart.

## Cleaning

For general care and maintenance, simply wipe away most spills or marks with a damp cloth, or wipe clean with non abrasive household cleaner.

Do not submerge product at any point.

Avoid scourers and abrasives as they will damage the surface.

Do not use waxes or polishing products as they dull the natural shine.

Contact Five At Heart for replacement ironing board covers.

# Five At Heart



Creating  
spaces  
for however  
you Roll...



[fiveatheart.com](http://fiveatheart.com)

**Australia**

1300 769 332 or [au\\_info@fiveatheart.com](mailto:au_info@fiveatheart.com)

**North America**

1888 218 3433 or [na\\_info@fiveatheart.com](mailto:na_info@fiveatheart.com)

**Europe**

(+44) 20313 71966 or [eu\\_info@fiveatheart.com](mailto:eu_info@fiveatheart.com)